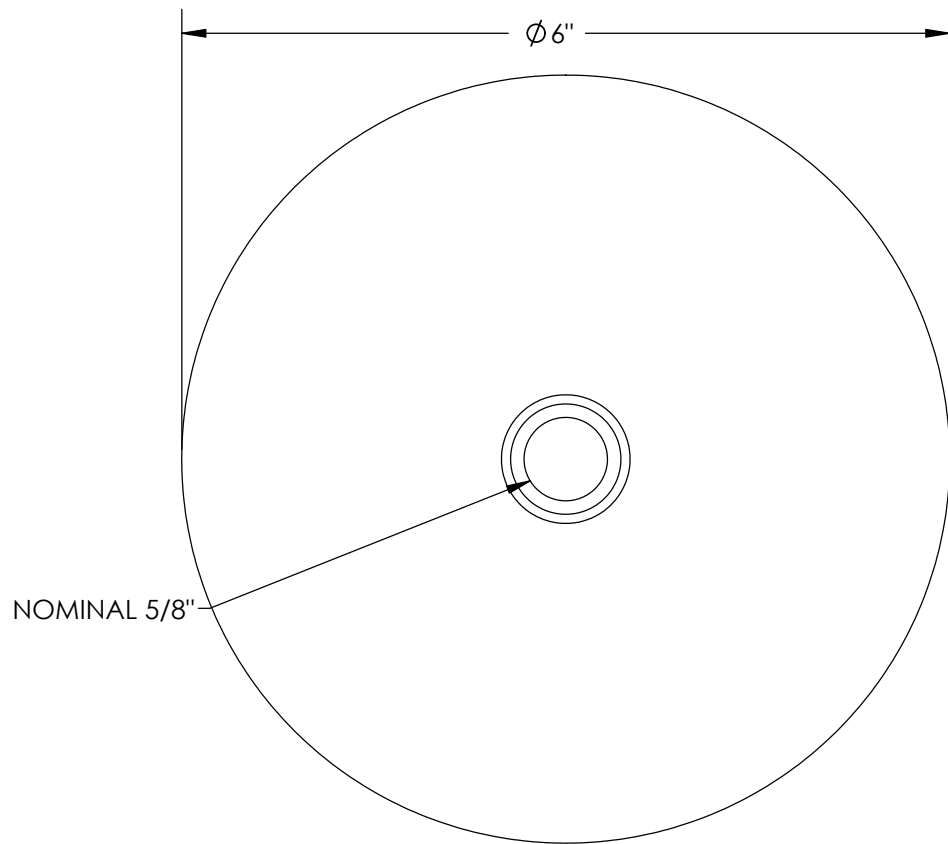
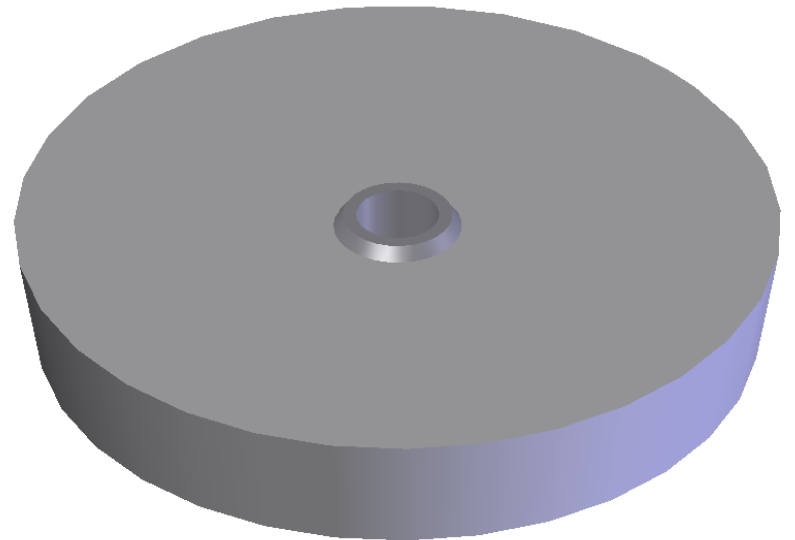


1/2" IPS CORE



NOMINAL 5/8"



ANSUN
6 INCH CIRCLE
ZEP STYLE B

DIMENSIONS ARE IN INCHES
 TOLERANCES:
 FRACTIONAL $\pm 1/8$

SIZE A	DWG. NO.	REV.
NOMINAL WEIGHT: 7.2 LBS		