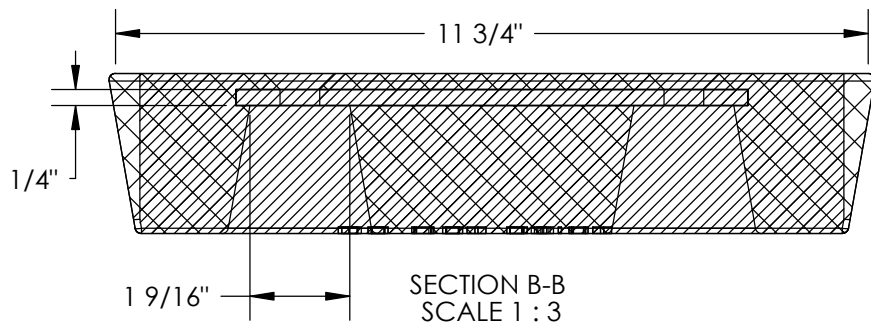
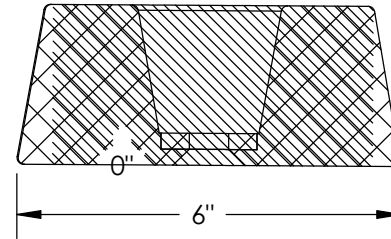
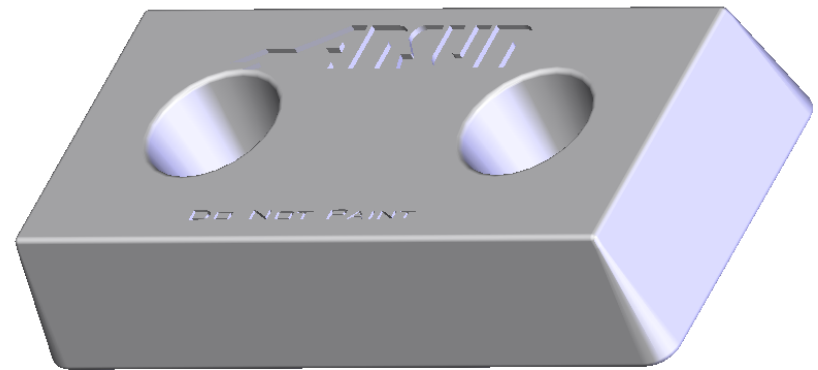


SECTION C-C
SCALE 1 : 3



SECTION B-B
SCALE 1 : 3



ANSUN

ZHC 42

DIMENSIONS ARE IN INCHES
TOLERANCES:
FRACTIONAL $\pm 1/8$

SIZE A	DWG. NO.	REV.
NOMINAL WEIGHT: 42 LBS		